

WIRING DIAGRAMS
Article Text
1993 Volkswagen Corrado
For Volkswagen Technical Site
Copyright © 1998 Mitchell Repair Information Company, LLC
Tuesday, December 07, 1999 11:21PM

ARTICLE BEGINNING

1993 WIRING DIAGRAMS
Volkswagen Wiring Diagrams

Volkswagen; Corrado

COMPONENT LOCATION MENU

COMPONENT LOCATIONS TABLE

AA

Component	Figure No. (Location)
A/C COMPRESSOR CLUTCH	7 (C 3)
A/C PRESSER SWITCH	1 (C 1)
A/C SWITCH	6 (E 20-21)
ABS CONTROL UNIT	4 (B 12-14)
ABS DIAGNOSTIC CONNECTOR	4 (D 15)
ABS HYDRAULIC PUMP FUSE	4 (E 15)
ABS VALVE FUSE	4 (A 12)
ABS WARNING SWITCHES	4 (B 15)
ALTERNATOR	1 (B 3)
ANTI-THEFT ALARM CONTROL UNIT	3 (E 8)
BACK-UP LIGHT SWITCH	9,10 (E 32-39)
BATTERY	1 (A 2)
BEAM SELECT SWITCH	6 (A 20)
BRAKE FLUID LEVEL SWITCH	8 (A 31)
CENTRAL LOCK CONTROL UNIT	10 (A 39)
CIGARETTE LIGHTER AND LIGHT	7 (A 24)
COOLANT FAN CONTROL/COOLANT TEMPERATURE SENDER UNIT ...	1 (D 1)
COOLANT TEMPERATURE SENDER (EXCEPT SLC)	8 (A 29)
CRUISE CONTROL UNIT	4 (A 12-15)
DEFOGGER SWITCH	8 (E 29)
DIRECTIONAL HAZARD SWITCH	6 (A 21)
DOOR SWITCHES	10 (B 38)
ENGINE CONTROL MODULE (ECM)(SLC)	2 (A-E 7)
FOG LIGHT SWITCH	6 (A 23)
FRESH AIR SWITCH	6,9 (E 22, E 32)
FRESH AIR SWITCH ILLUMINATION LIGHT	6 (D 20)
FUEL INJECTORS	2 (D 4)
FUEL TANK SENDER	5 (E 18)
FUSE #23	6 (D 20)
FUSE #51	9 (D 34)
FUSE/RELAY PANEL	5,8 (C 16, 31)
FUSE/RELAY PANEL LAYOUT	10 (D, E 37, 39)
GLOVE COMPARTMENT LIGHT	9 (D 30, 31)
HYDRAULIC PUMP RELAY	5 (D-E 15)
HYDRAULIC UNIT	5 (E 17-15)
IGNITION COIL	2 (E 6)
IGNITION SWITCH	5 (A 16)
INSTRUMENT CLUSTER	9 (A-D 32-34)
INTERIOR LIGHT SWITCH	11 (E 41)

WIRING DIAGRAMS
Article Text (p. 2)
1993 Volkswagen Corrado
For Volkswagen Technical Site
Copyright © 1998 Mitchell Repair Information Company, LLC
Tuesday, December 07, 1999 11:21PM

LEFT REAR MICRO SWITCH	9	(D 33)
LEFT SEAT BELT CONTROL UNIT	9	(D 35)
LIGHT SWITCH	5	(A 18-19)
LUGGAGE COMPARTMENT LIGHT SWITCH	7	(A 26)
MAKE UP MIRROR	11	(E 42)
O2 SENSOR	1,2	(A 3, A 5-6)
OIL PRESSER GAUGE	9	(A 35)
OIL PRESSER SWITCHES	7	(A 25)
PARK BRAKE SWITCH	8	(A 31)
POWER MIRRORS	11	(B-D 42)
POWER WINDOW CIRCUIT BREAKER	10	(A 38)
POWER WINDOWS	11	(B-D 36-39)
PROGRAM SWITCH	3	(B 8)
RADIATOR COOLING FAN	1	(D 3)
RADIATOR COOLING FAN CONTROL UNIT	1	(C-D 3)
RADIATOR COOLING FAN THERMO SW (SLC)	1	(C 1)
REAR SPOILER SYSTEM	12	(A-B 40-42)
REAR WIPER SYSTEM	7	(E 26-27)
RIGHT SEAT BELT CONTROL UNIT	9	(B-C 35)
SEAT BELT SWITCH	8	(E 35)
SEAT HEATER SYSTEM	11	(C-E 40-41)
SPEED SENSOR	7	(B 26)
STARTER	1	(A 3)
STARTER INTERLOCK/BACK-UP LIGHT RELAY (A/T)	3	(A 8)
STOP LIGHT SWITCH	8	(B 29)
SUNROOF	10	(E 36-37)
THROTTLE POSITION SENSOR	2	(E 4)
VACUUM VENT VALVE	4	(B 13-14)
VOLTMETER	9	(B 35)
WINDSHIELD WIPER SYSTEM	7	(D-E 24-27)
WARNING MODULE	4,8	(C-D 12-28)
WASHER NOZZLE HEATERS	7	(E 27)
AA		

WIRING DIAGRAMS

WIRING DIAGRAMS

Article Text (p. 3)

1993 Volkswagen Corrado

For Volkswagen Technical Site
 Copyright © 1998 Mitchell Repair Information Company, LLC
 Tuesday, December 07, 1999 11:22PM

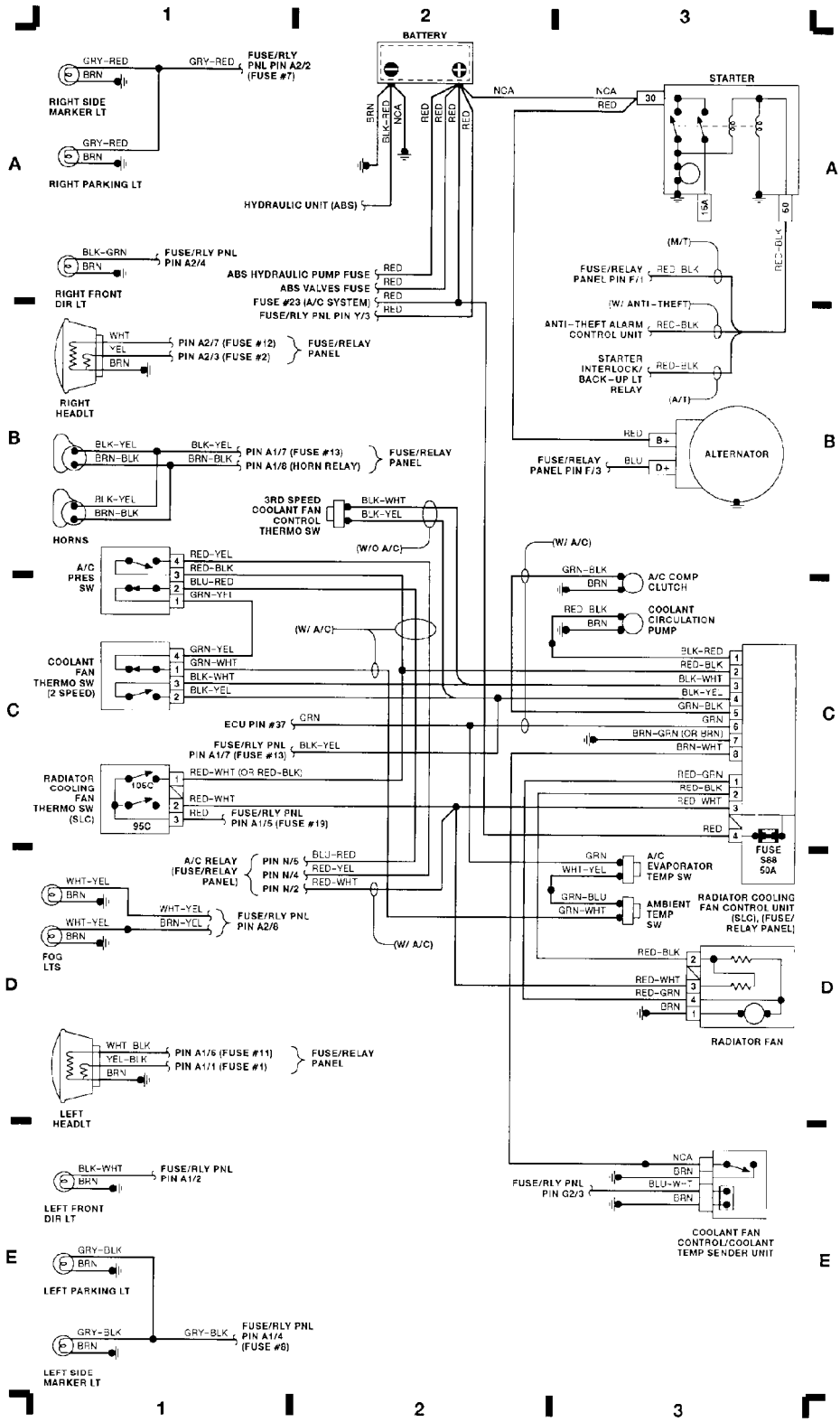
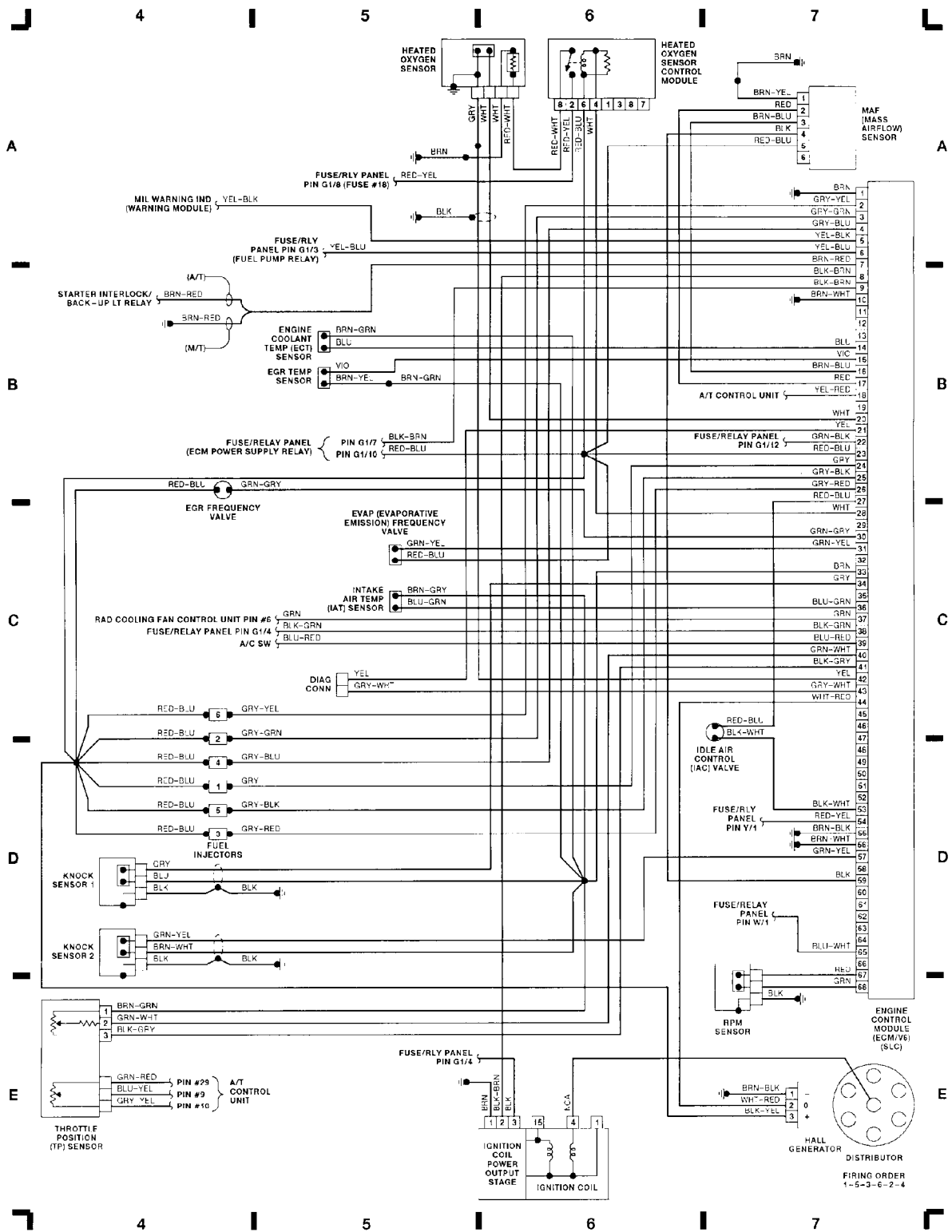


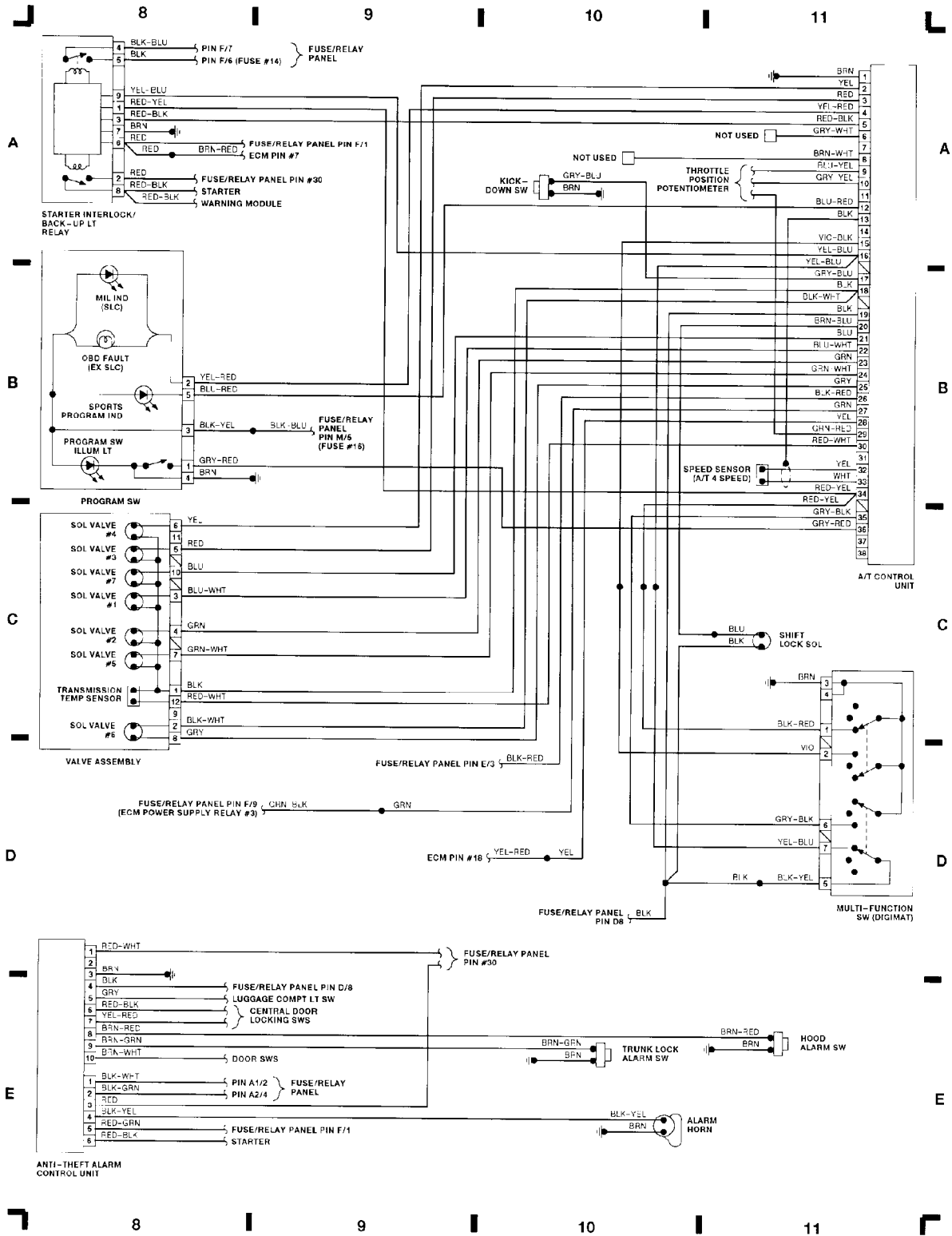
Fig. 1: Engine Compartment, Headlights (Grid 1-3)

WIRING DIAGRAMS
Article Text (p. 4)
 1993 Volkswagen Corrado
 For Volkswagen Technical Site
 Copyright © 1998 Mitchell Repair Information Company, LLC
 Tuesday, December 07, 1999 11:22PM



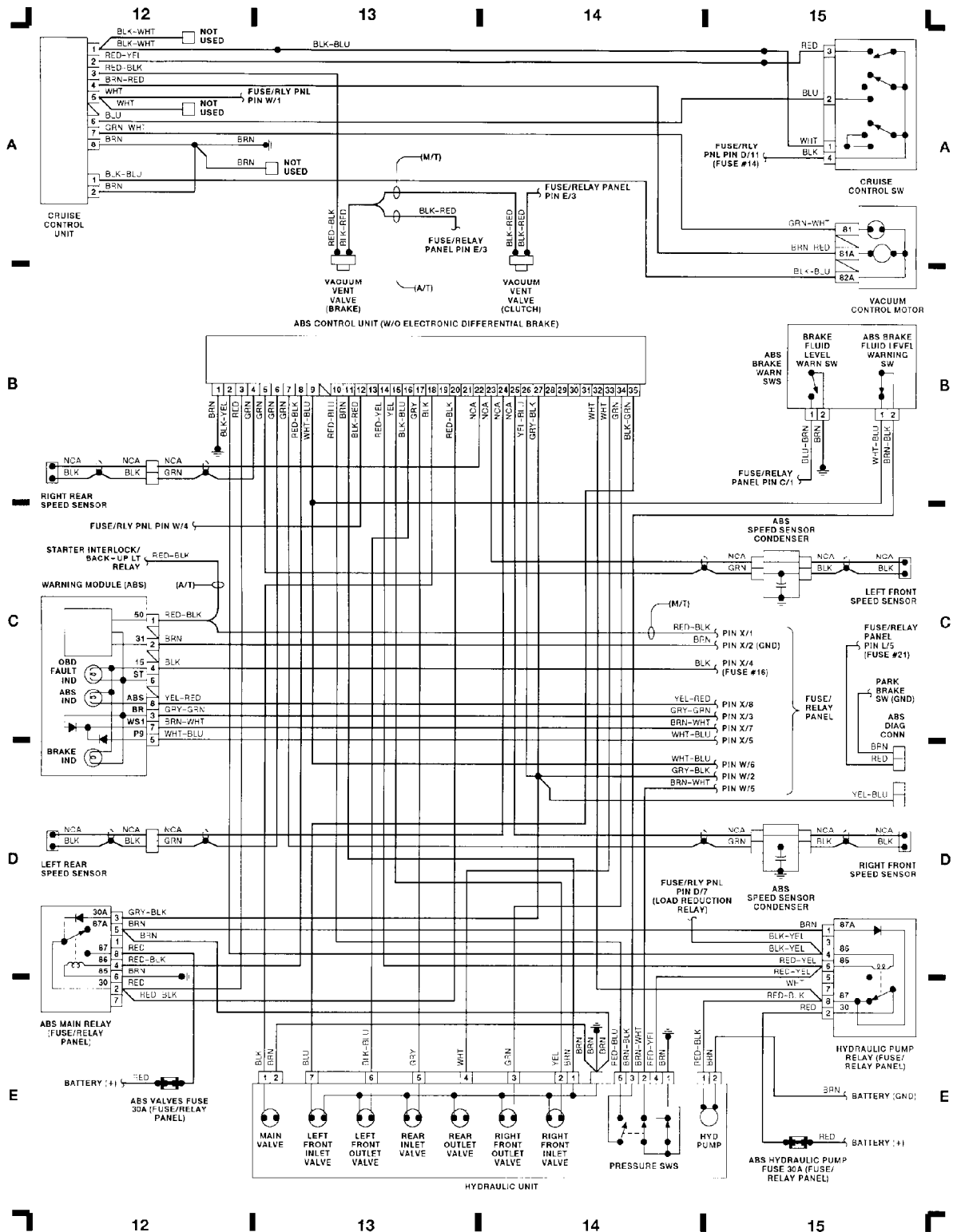
94A30858
 Fig. 2: Engine Control Module V6, Ignition Coil (Grid 4-7)

WIRING DIAGRAMS
Article Text (p. 5)
 1993 Volkswagen Corrado
 For Volkswagen Technical Site
 Copyright © 1998 Mitchell Repair Information Company, LLC
 Tuesday, December 07, 1999 11:22PM



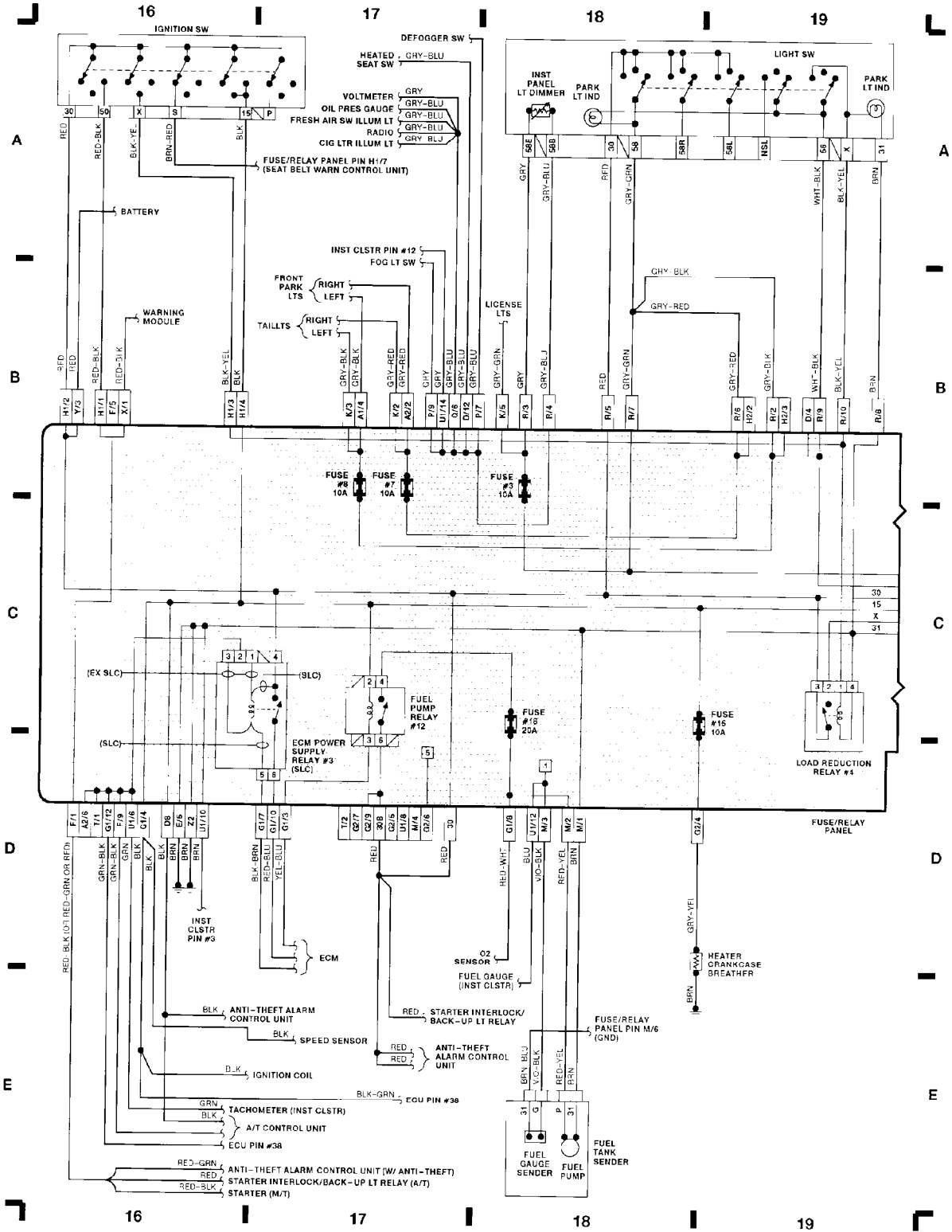
94B30859
 Fig. 3: A/T Ctrl Unit, Multi-Function Sw (Grid 8-11)

WIRING DIAGRAMS
Article Text (p. 6)
 1993 Volkswagen Corrado
 For Volkswagen Technical Site
 Copyright © 1998 Mitchell Repair Information Company, LLC
 Tuesday, December 07, 1999 11:22PM



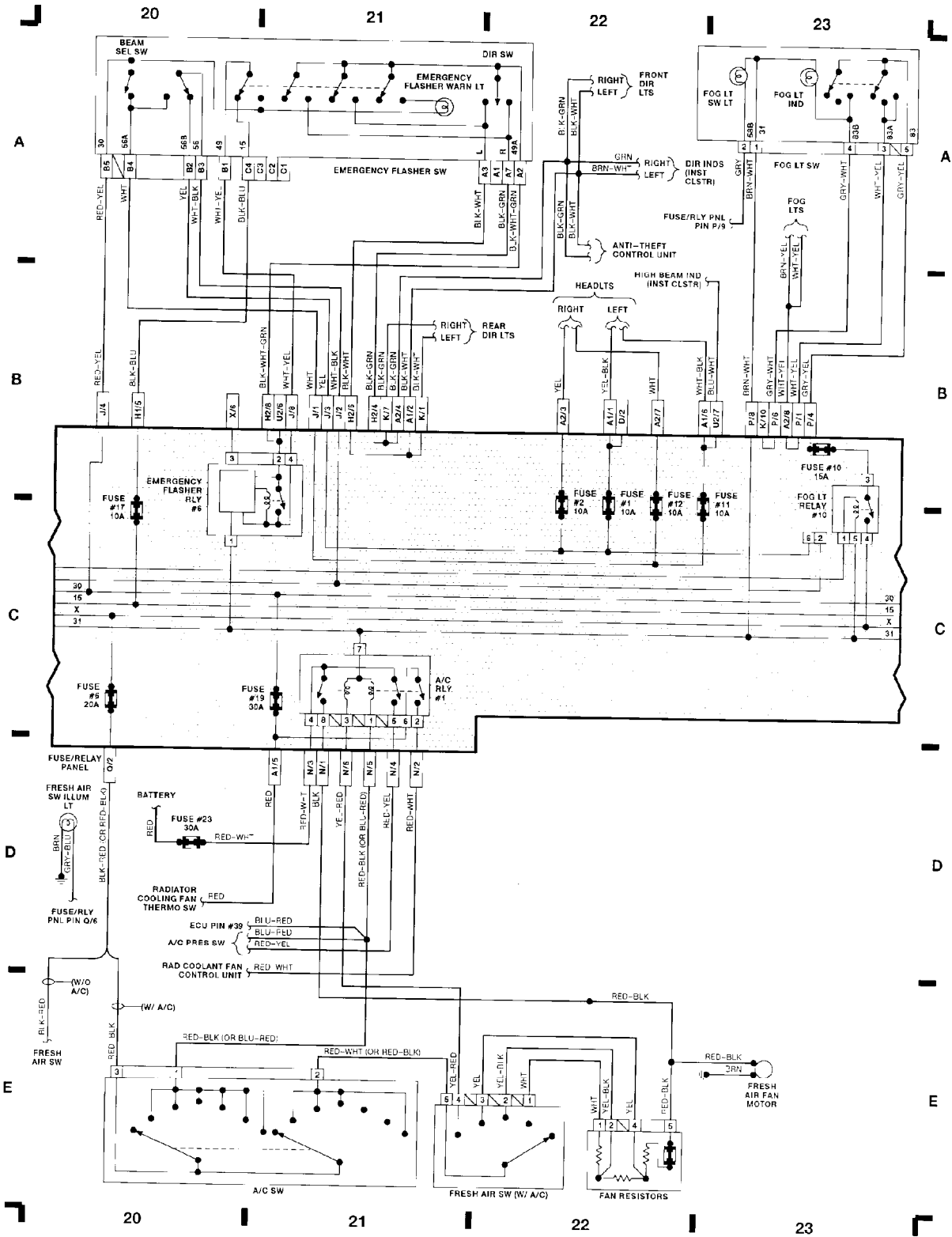
94E30860
 Fig. 4: ABS Ctrl Unit, Cruise Ctrl Unit, Hydraulic Unit (Grid 12-15)

WIRING DIAGRAMS
Article Text (p. 7)
 1993 Volkswagen Corrado
 For Volkswagen Technical Site
 Copyright © 1998 Mitchell Repair Information Company, LLC
 Tuesday, December 07, 1999 11:22PM



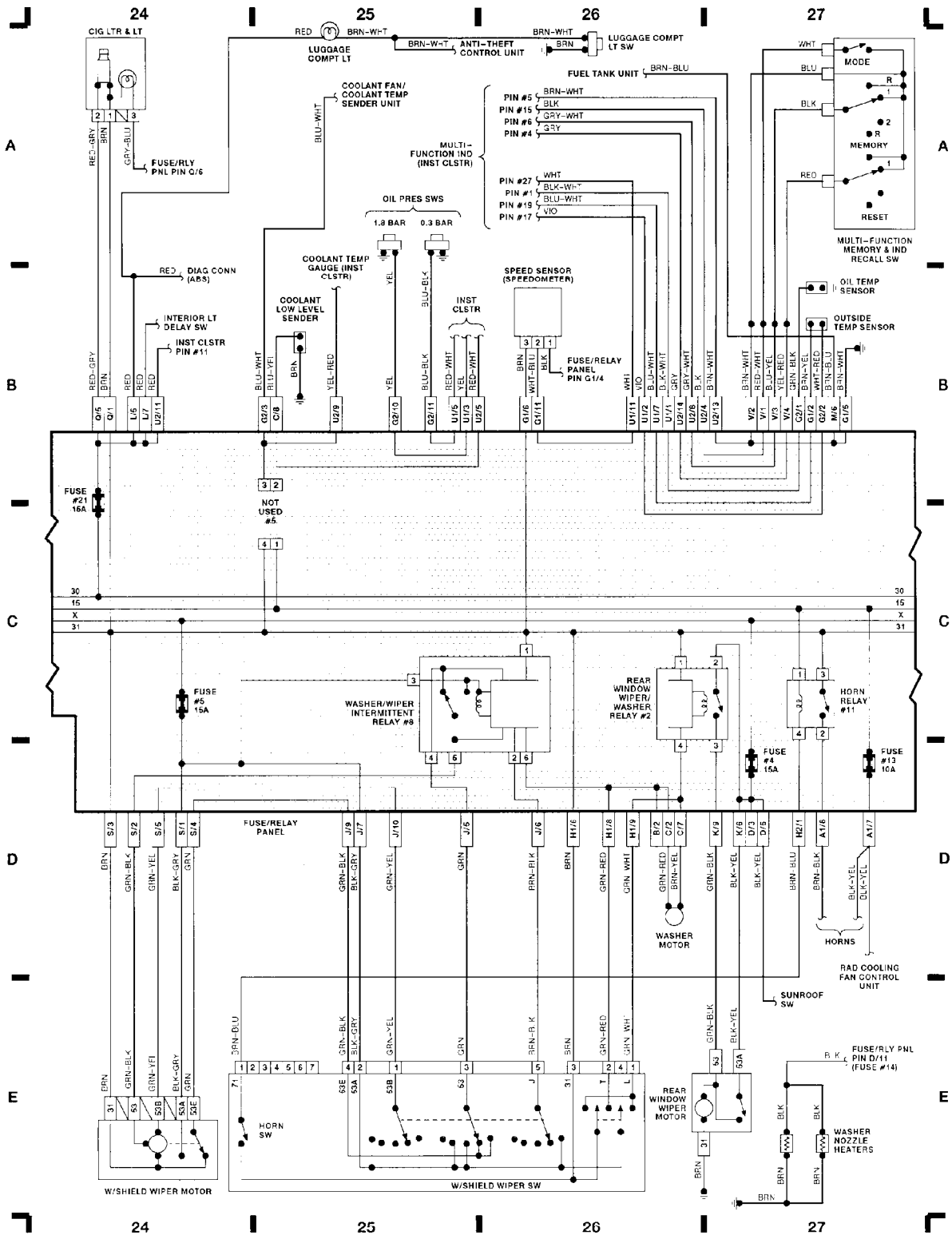
94F30861
 Fig. 5: Fuse/Relay Panel, Ignition Sw, Lt Sw (Grid 16-19)

WIRING DIAGRAMS
Article Text (p. 8)
 1993 Volkswagen Corrado
 For Volkswagen Technical Site
 Copyright © 1998 Mitchell Repair Information Company, LLC
 Tuesday, December 07, 1999 11:22PM



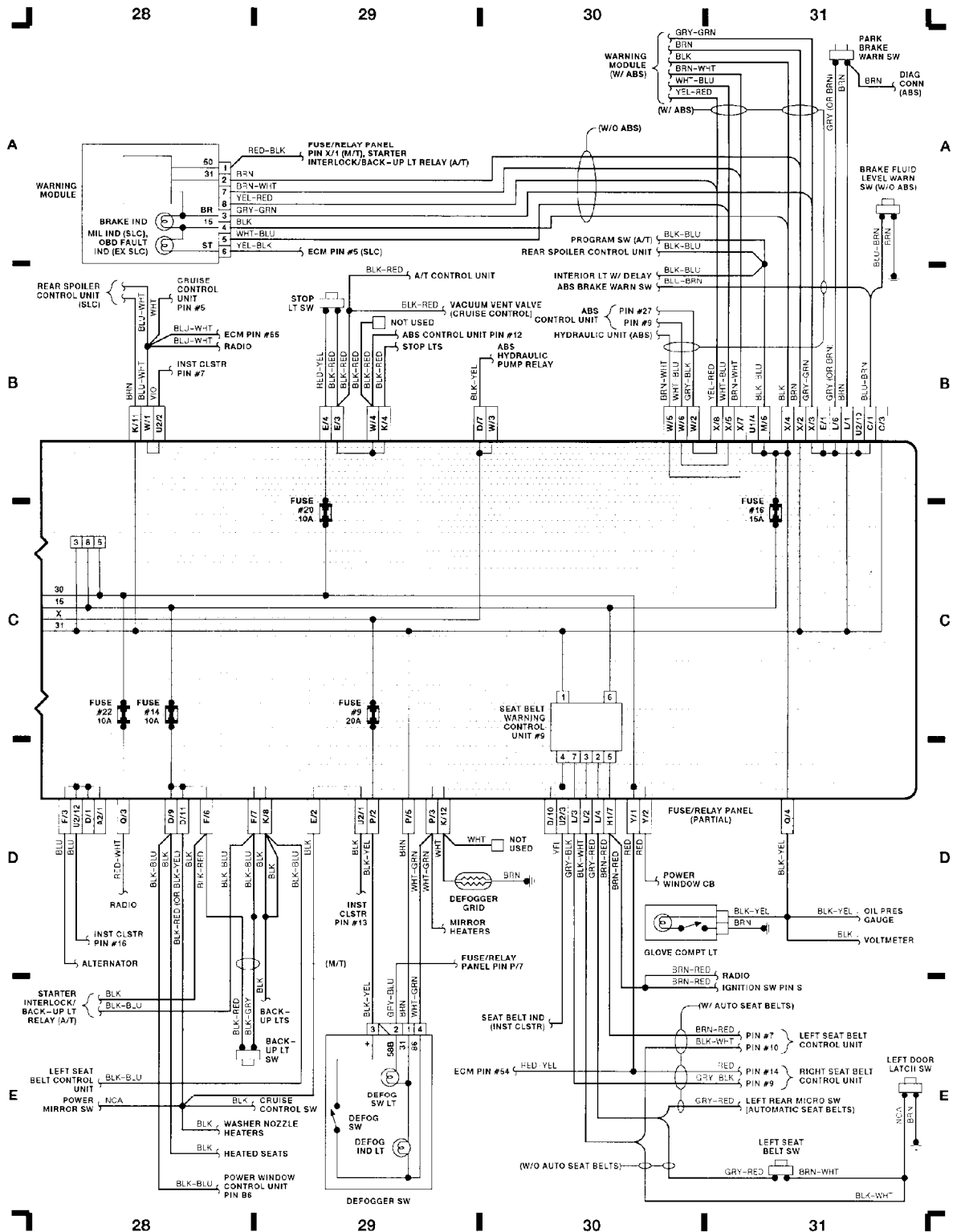
94G30862
 Fig. 6: Fuse/Relay Panel (Cont), A/C Sw (Grid 20-23)

WIRING DIAGRAMS
Article Text (p. 9)
 1993 Volkswagen Corrado
 For Volkswagen Technical Site
 Copyright © 1998 Mitchell Repair Information Company, LLC
 Tuesday, December 07, 1999 11:22PM



94H30863
 Fig. 7: Fuse/Relay Panel (Cont), W/Shield Wiper Mtr (Grid 24-27)

WIRING DIAGRAMS
Article Text (p. 10)
 1993 Volkswagen Corrado
 For Volkswagen Technical Site
 Copyright © 1998 Mitchell Repair Information Company, LLC
 Tuesday, December 07, 1999 11:22PM



94130864
 Fig. 8: Fuse/Relay Panel (Cont), Warning Module (Grid 28-31)

WIRING DIAGRAMS
Article Text (p. 11)
 1993 Volkswagen Corrado
 For Volkswagen Technical Site
 Copyright © 1998 Mitchell Repair Information Company, LLC
 Tuesday, December 07, 1999 11:22PM

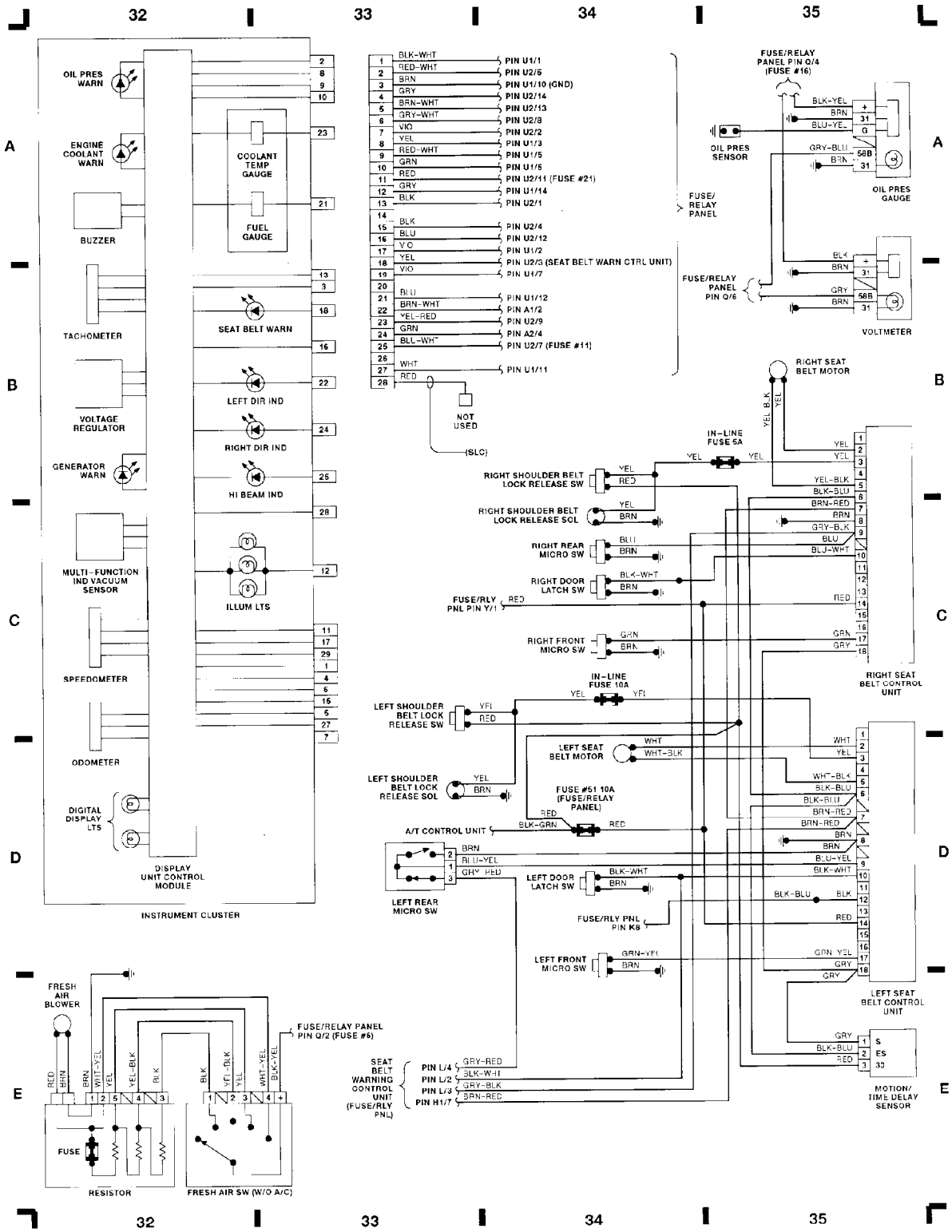


Fig. 9: Instrument Cluster, Right Seat Belt Ctrl Unit (Grid 32-35)

WIRING DIAGRAMS
Article Text (p. 12)
 1993 Volkswagen Corrado
 For Volkswagen Technical Site
 Copyright © 1998 Mitchell Repair Information Company, LLC
 Tuesday, December 07, 1999 11:22PM

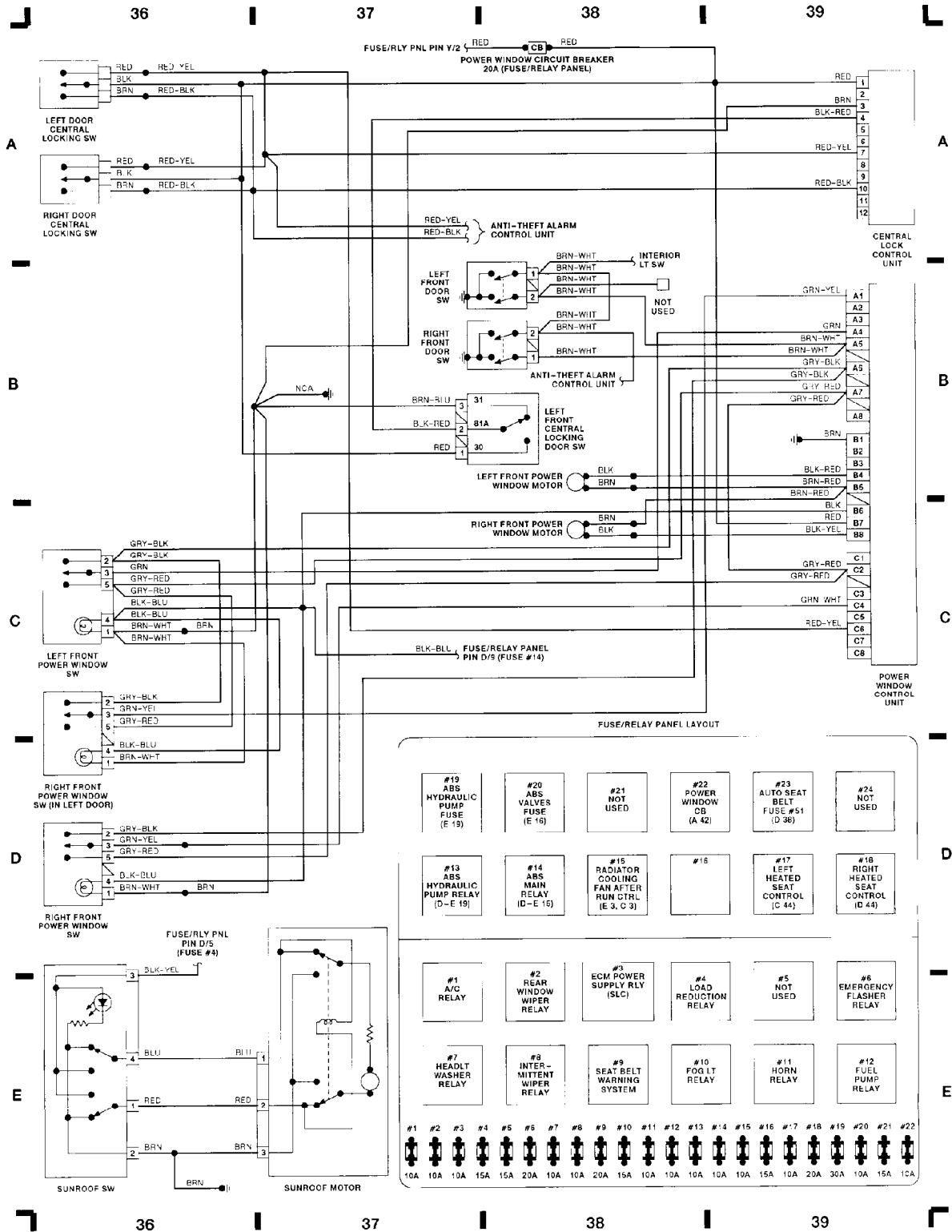
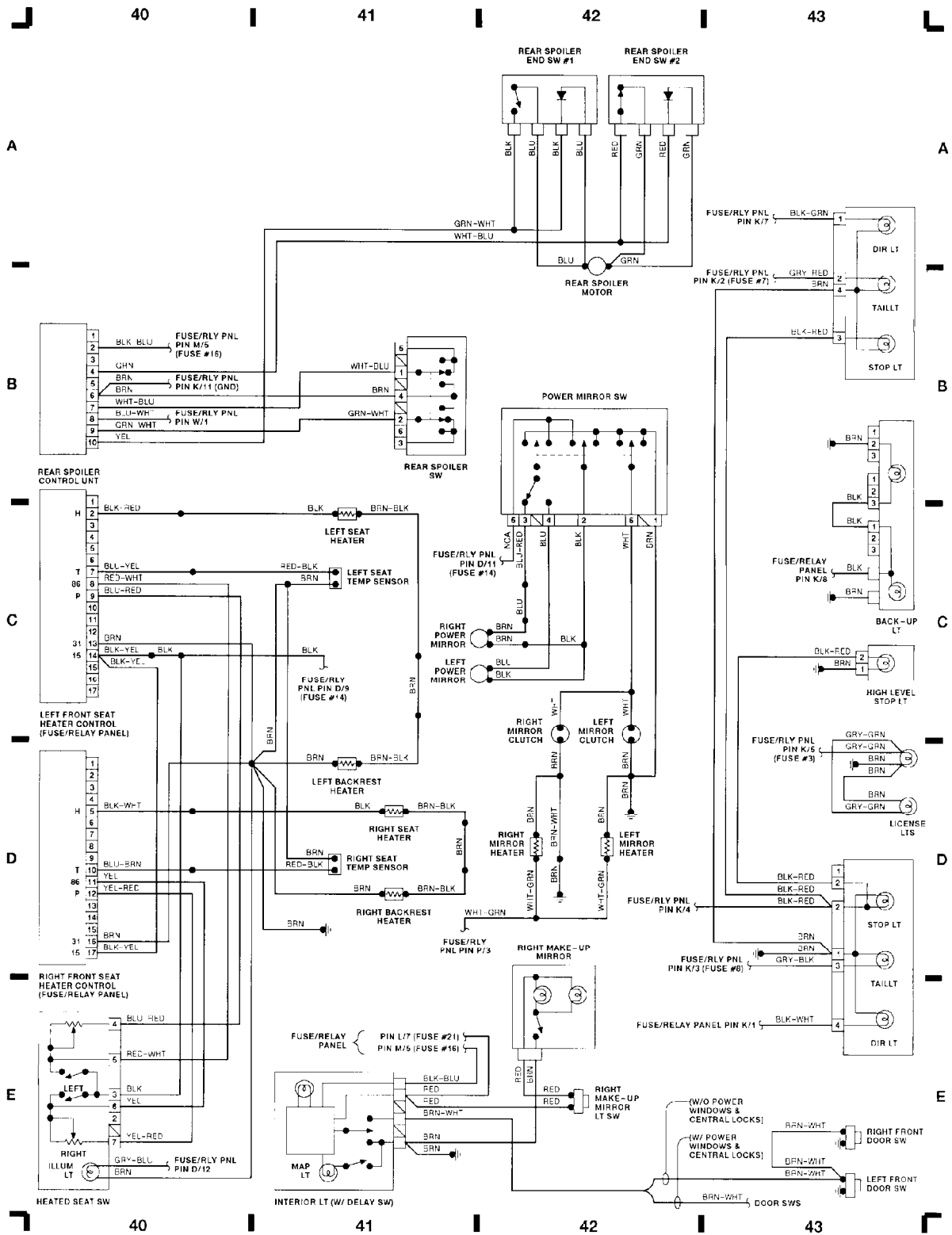


Fig. 10: 94A30866 Fuse/Relay Panel Layout, Sunroof Sw (Grid 36-39)

WIRING DIAGRAMS
Article Text (p. 13)
1993 Volkswagen Corrado
For Volkswagen Technical Site
Copyright © 1998 Mitchell Repair Information Company, LLC
Tuesday, December 07, 1999 11:22PM



94B30867

Fig. 11: Taillight, Power Mirror Sw, Heater Seat Sw (Grid 40-43)

END OF ARTICLE